

INTERACTIVE BAY SCISSORS LIFT

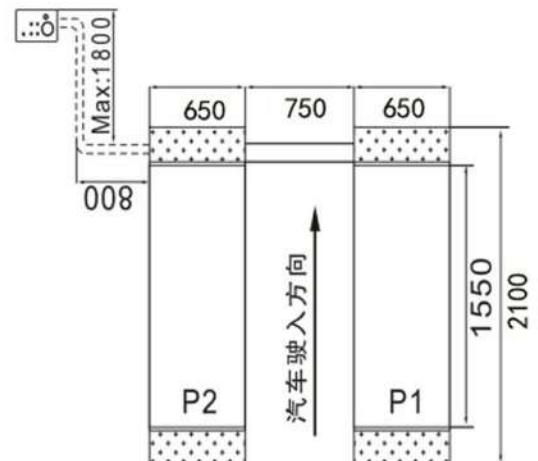
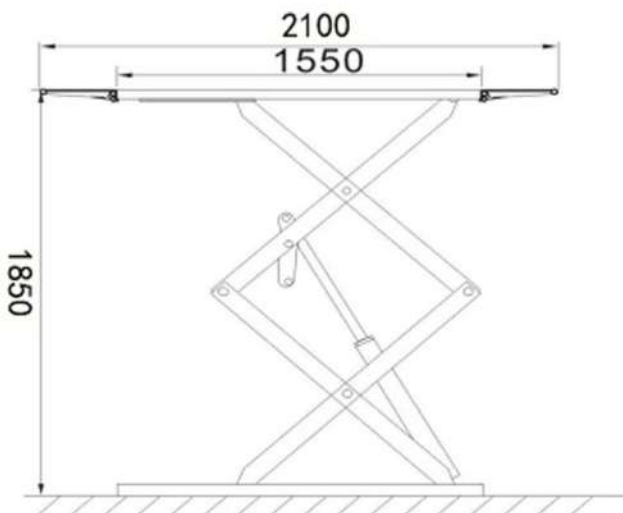


M.AROCKIA RAJAN:
+91 73977 90571 | +91 99444 08468

SPECIFICATION

- Lifting capacity – 3.5 Ton
- High-performed durable hydraulic cylinders composed by double pressure seals
- Master & slave cylinder synchronization system
- Easy synchronization control system by special hydraulic valves
- Extra low 110mm height profile
- Air cylinder operated locking device
- Double function one touch ramp / extension platform
- Rubber pads on the platform to protect the vehicle chassis
- De-synchronization detecting electronic photo-cell
- Color- Grey

Capacity	Lift Height	Mini Height	Power of Motor	Power Supply	Air Supply	Lifting Time
3.5T	1850mm	110mm	2.2kw	380/220w	6-8Kg	45s



All dimensions in mm