

TYRE CHANGER



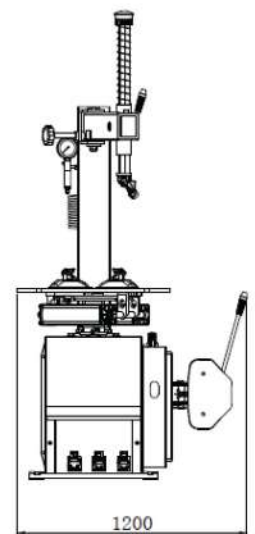
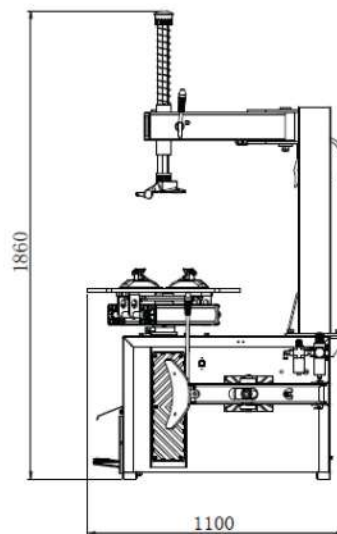
M.AROCKIA RAJAN:
+91 73977 90571 | +91 99444 08468

FEATURE

- Demounting head is made of special material, with lifetime warranty.
- The parkerising cylinder, tyre pressure can reach to force 2000kg, it is easy to separate RCS tyres and run-flat tyres from the rim, avoid cylinder rust, enhancing the service life
- The Italian-design pedal assembly has ergonomic structure, sealing performance is stable, appearance updated, unified brand image
- The claws are made of special material, sturdy and durable
- Optional equipped with upper assist arm 230

TECHNICAL SPECIFICATIONS

Outside clamping range	0-18'inch
Inside clamping range	12-21'inch
Rim width	3-12'inch
Max Wheel diameter	960mm
Working pressure	8-10bar
Bead Breaking force	2500kg
Power supply	110V/220V/380V
Motor Power	0.75kw/1.1kw
Rotation per minute	6.5/13rpm
Noise	<70dB
Packing dimension	980*760*950mm
Machine dimensions	1400*1200*1900mm
Net weight	179kg
Gross weight	207kg



**All dimensions are in mm*