

WHEEL BALANCER (DIGITAL)



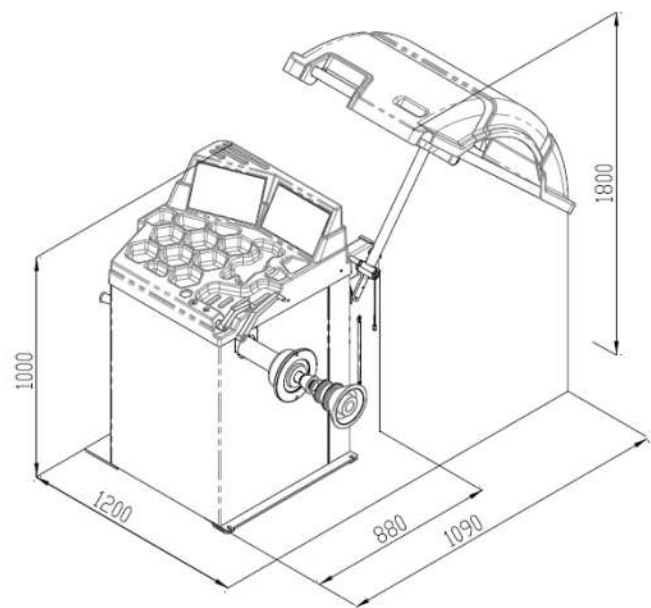
M.AROCKIA RAJAN:
+91 73977 90571 | +91 99444 08468

FEATURE

- The balancer has DYN/STA and different ALU balancing programs, this balancer also has motorcycle balancing program
- The machine allows user to customize settings, for example, switch in/off protective cover, display accurate imbalance, etc
- Customer can input distance/diameter/width by clockwise/anti-clockwise wheel rotation
- The calibration is easy to proceed, the machine can quickly get back its precision
- The machines can be optionally equipped with motorcycle adaptor
- High quality weigh tray cover can be used for a long period of time
- The IMD display panel is resistant to scratch and erosion, it has long service time
- The buttons will not be broken in 500,000 times. The panel will not get peeled or bulged

TECHNICAL SPECIFICATIONS

Max. Wheel diameter	1118mm
Rim Width	1.5" - 20"
Rim diameter	10" - 24"
RPM	200rpm
Power Supply Voltage	100 - 230V 1 ph
Power	0.25kw
One Balance Time	10s
Balancing Precision	±1g
Max. wheel weight	65kg
Second Time Centering Precision	≤5g
Packing dimension	930*710*1160mm



**All dimensions are in mm*